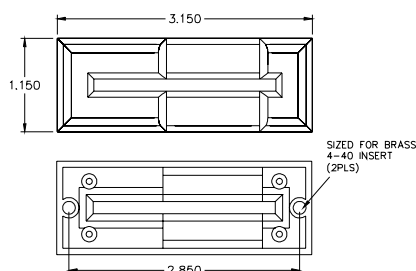


Full Insertion Magstripe Reader**Features**

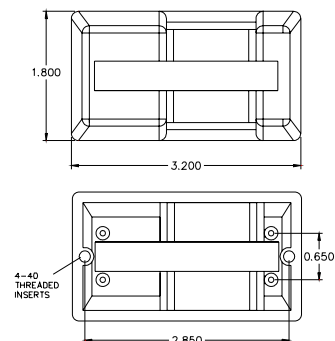
- Reads bank issued credit cards
- USB 1.0 / 2.0 12Mb/s interface
- Clear plastic module body
- Reads tracks one and two
- Front and rear card detects
- Open slot architecture
- Entry slot illumination
- Easily customized
- Windows and Linux drivers available

**Model FI 30-120-USB with XS1090 bezel****Specifications**

Interface:	USB 1.0 / 2.0 high speed 12Mb/s
Read Direction:	Insertion and/or withdrawal
Tracks:	Both ISO tracks 1 and 2
Read Speed:	3ips - 45ips
Card Thickness:	10mils - 45mils
Connector:	Series 'B' receptical
Dimensions:	Length: 3.5in. Width: 4.0in. Height: 1.4in. approx.
MTBF:	Electronics: 100,000 hours Head Life: 500,000 minimum
Environment:	Operating Temp.: 0°C - 50°C Storage Temp.: -20°C - 70°C Operating Humidity: 8%-95% Storage Humidity: 5% -95%

Bezel Selection**XS1042**

√ custom bezels and colors available

**XS1090 STANDARD**

Model FI 30C-120-USB

Model FI30-120-USB is a full insertion magnetic stripe card reader with a USB interface. The unit is designed to read tracks 1 and 2 of encoded data on bank issued credit and financial cards. The encoded data can be read on insertion, withdrawal, or both. Direct optical front and rear card detects are standard. Mechanical front and rear card detects are available. This card reader is the industry standard for kiosks, vending machines, and gas pumps.

Unique Features

The reader uses an **inventive ball and optical combination for front and rear card detects** (option). This feature allows the reader to operate normally when translucent cards are used.

The reader's **card slot is illuminated** with super bright leds for easy identification in dimly lit locations such as casinos, arcades, bars, and night clubs. The reader's leds can be flashed on and off to alert the cardholder.

Open back architecture allows for coins and other unwanted debris to easily be pushed out the rear of the unit.

Pin Assignment

Pin No.	USB
1	V _{Bus}
2	D-
3	D+
4	GND
Shell	Shield

Status LEDs

- PWR - Reader is activated
- RXD - Receiving host commands
- TXD - Transferring data

Power Requirements

- Voltage: 4.35 - 5.25V
- Current
- Reader: Suspend 200uA max.
- Lamp: 40mA typ.

Dimensions

